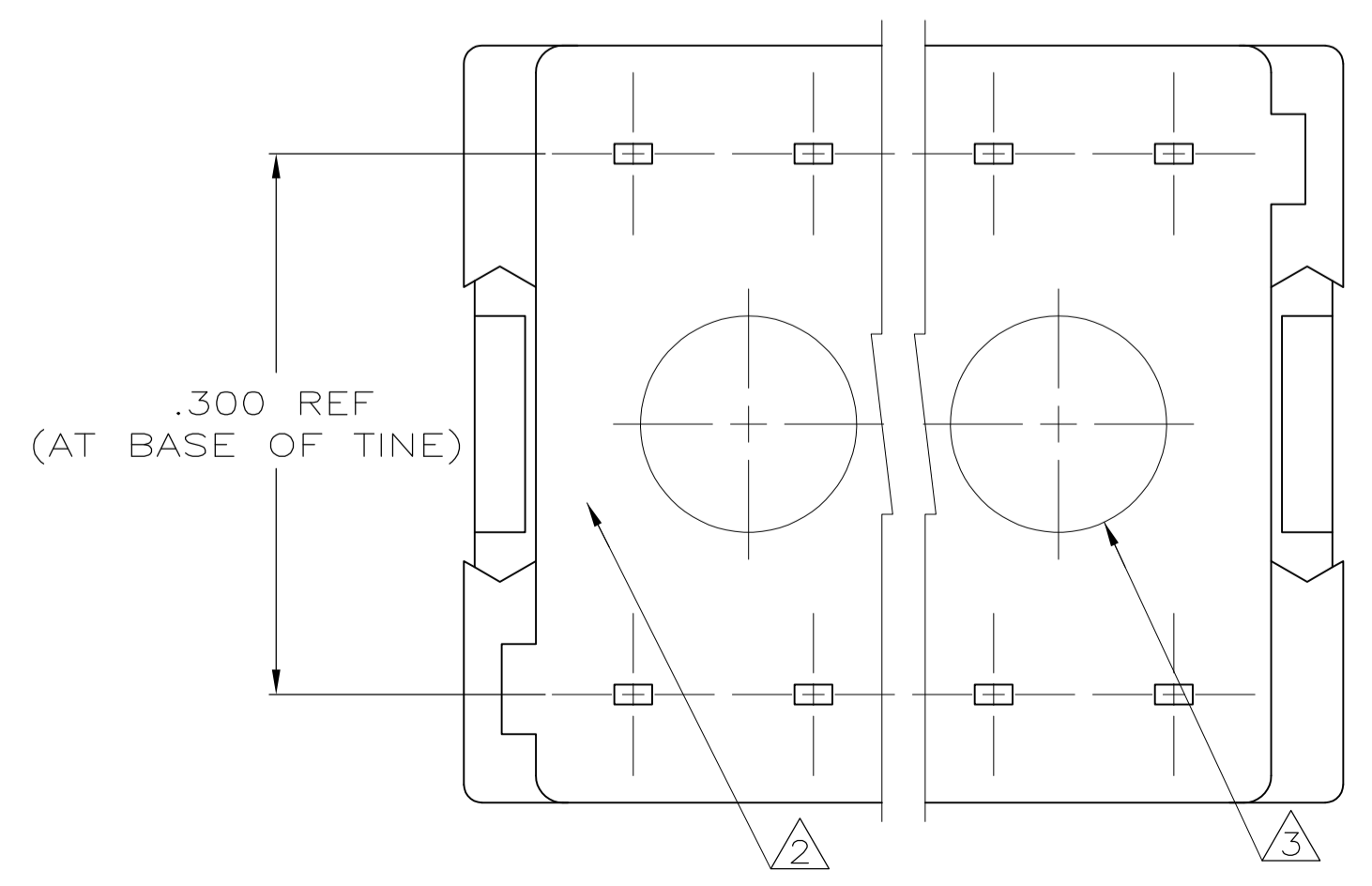
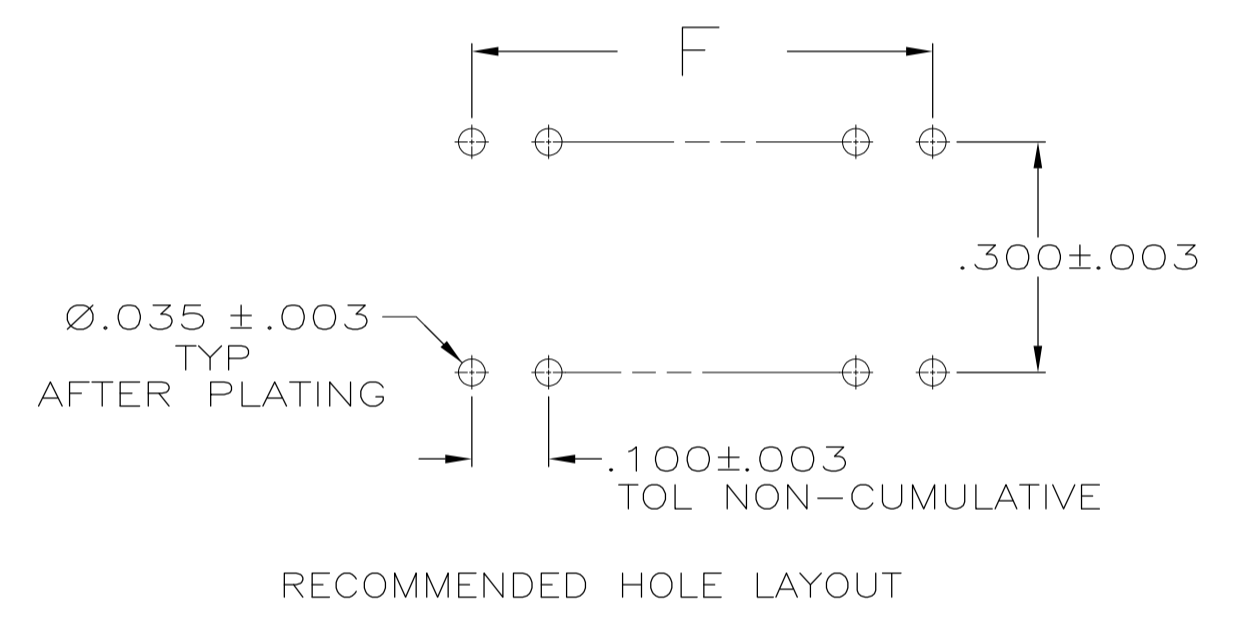
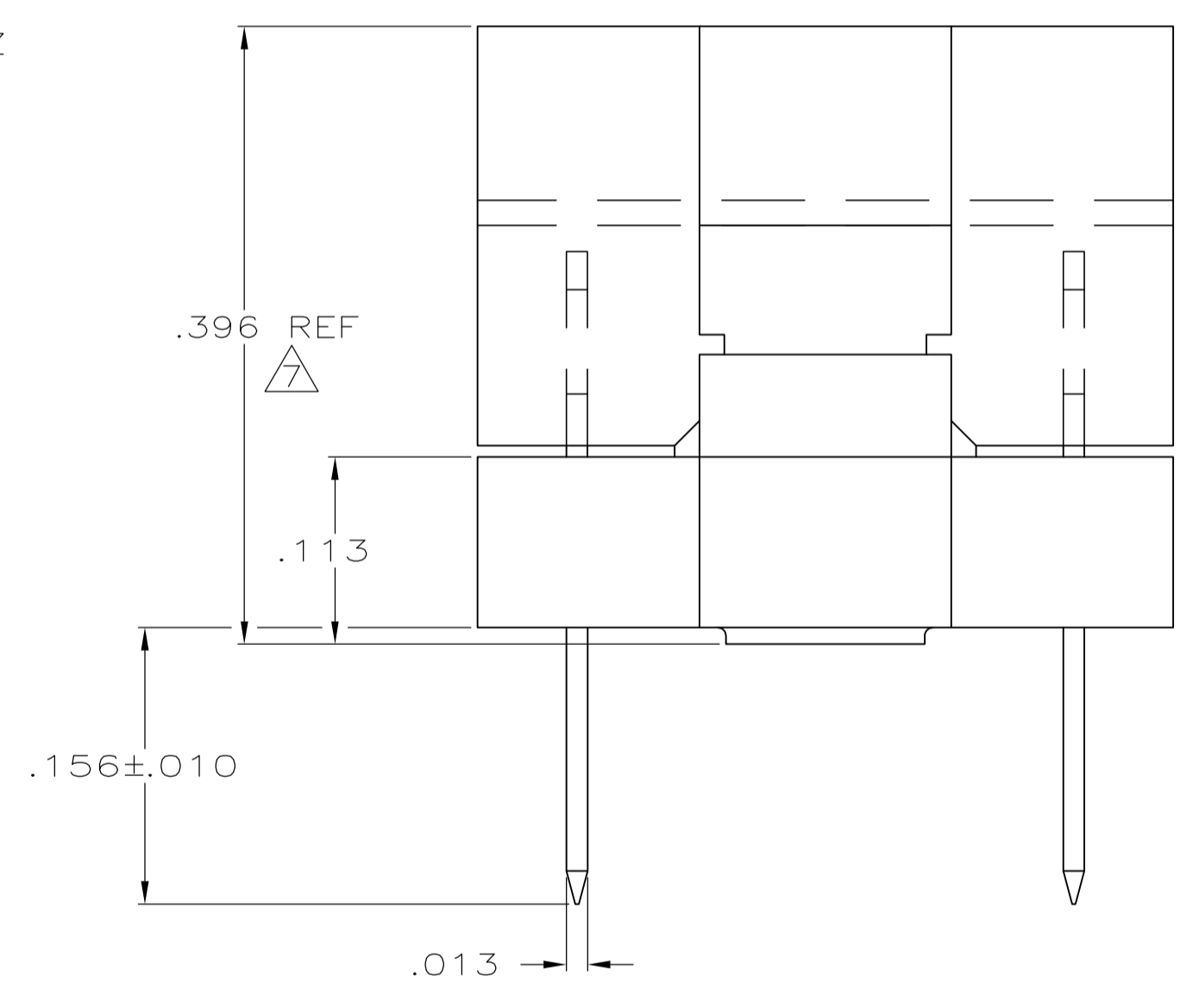
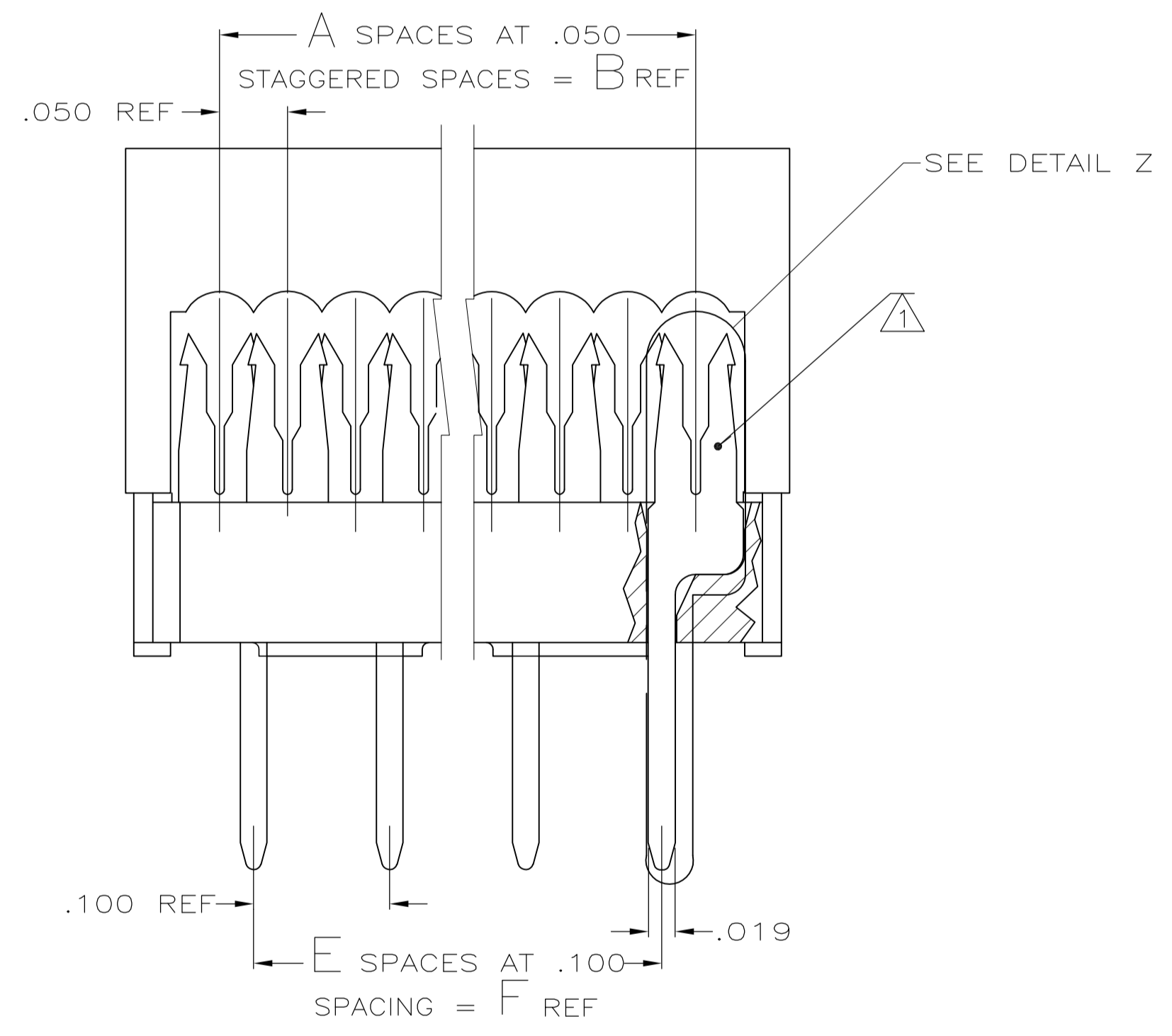


- ① CONTACTS DESIGNED FOR 26 & 28 AWG STRANDED OR 26, 28 & 30 AWG SOLID WIRE.
- ② AMP TRADEMARK LOCATED IN APPROX AREA SHOWN.
- ③ STANDOFFS: POSN 8 (2) STANDOFFS AS SHOWN. POSN 14-20 (3) STANDOFFS, (1) CENTERED BETWEEN (2) SHOWN
- ④ PLATED WITH .000100 - .000200 BRIGHT TIN LEAD OVER .000050 NICKEL.
- ⑤ PLATED WITH .000030 GOLD OVER .000050 NICKEL.
- ⑥ GOLD FLASH OVER .000050 NICKEL.
- ⑦ HEIGHT AFTER TERMINATION IS .253 REF.
- ⑧ INDICATES NO 1 POSITION.
- ⑨ PLATED WITH .000005 MIN GOLD IN IDC AREA OVER .000050 MIN NICKEL.
- ⑩ MOLDED PARTS: 94V-0 RATED THERMOPLASTIC, COLOR BLACK. CONTACTS: PHOS BRONZE.



⑨	⑤	⑥	.900	9	1.088	.900	.950	19	20	1-746611-0	
⑨	⑤	⑥	.800	8	.988	.800	.850	17	18	-9	
⑨	⑤	⑥	.600	6	.788	.600	.650	13	14	-8	
⑨	⑤	⑥	.300	3	.488	.300	.350	7	8	-7	
⑨	⑤	⑥	.700	7	.888	.700	.750	15	16	-6	
OBSOLETE	④	⑤	⑥	.900	9	1.088	.900	.950	19	20	-5
OBSOLETE	④	⑤	⑥	.800	8	.988	.800	.850	17	18	-4
OBSOLETE	④	⑤	⑥	.700	7	.888	.700	.750	15	16	-3
OBSOLETE	④	⑤	⑥	.600	6	.788	.600	.650	13	14	-2
OBSOLETE	④	⑤	⑥	.300	3	.488	.300	.350	7	8	746611-1

THIS DRAWING IS A CONTROLLED DOCUMENT.

DIMENSIONS: INCHES	TOLERANCES UNLESS OTHERWISE SPECIFIED:	DIN L VARELA - DOCKS 11-29-04	APVD C ROHDE 11-29-04	NAME M WALMSLEY 11-29-04	PRODUCT SPEC 108-40013	APPLICATION SPEC 114-40005	SIZE A1	SCALE 10:1	SHEET 1 OF 1	REV M
MATERIAL ⑩	FINISH CONTACTS: SEE TABLE	WEIGHT	CUSTOMER DRAWING	RESTRICTED TO	DATE 09AUG2013	DATE	DATE	DATE	DATE	DATE

STE TE Connectivity

KIT, AMP-LATCH DIP PLUG, PREASSEMBLED .100 X .300 CENTERS, 30 GOLD DUPLEX CONTACTS

SCALE 10:1 SHEET 1 OF 1 REV M